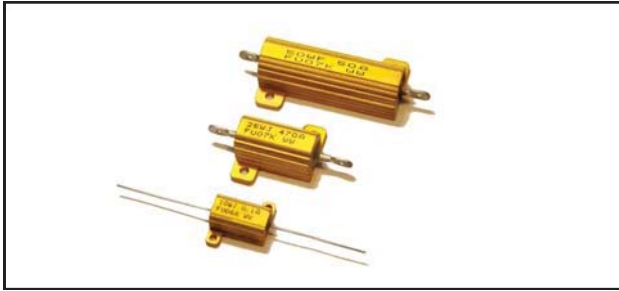


ALUMINUM CASED POWER RESISTOR

RAGR

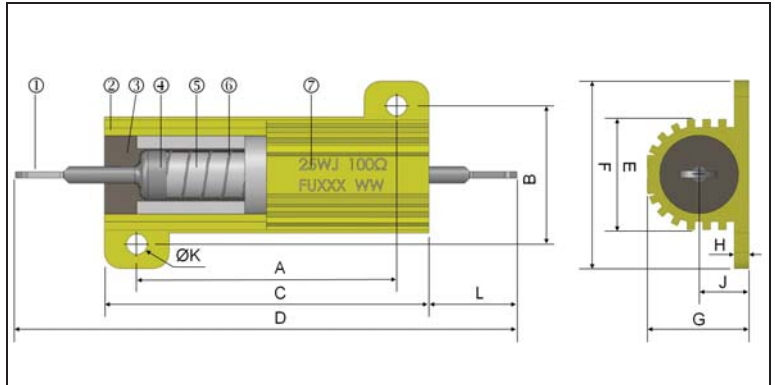
黃金鋁殼電阻器

ALUMINUM CASED POWER RESISTOR



外觀顏色 : Body Color 標示 : Marking
 金黃色 : Gold 文字 : Alphanumeric

结构图 Construction



1	端子線	Lead wire	5	瓷棒	Ceramic base
2	鋁殼	Aluminum case	6	繞線/皮膜	Wire wound / Film
3	矽水泥	Silicon cement			
4	鐵帽	Cap	7	標示	Marking

特性 Feature

- ◎ 高穩定性強之設計和高脈衝 20KV
- ◎ High stability strong construction and anti-surge to 20KV.
- ◎ 可依客戶需求製作
- ◎ Can be produced according to customer's request.
- ◎ 產品符合歐盟 RoHS 要求
- ◎ Products meet EU-RoHS.

料號編碼 Type composition

例 Example

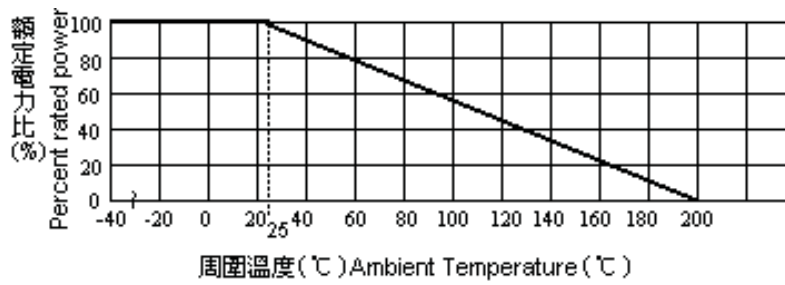
RA	GR	050	J	10R0	P00T
型名 Type	品名	額定功率 Rated power	誤差值 Tolerance	電阻值(Ω) Resistance	二次加工 Forming
	GR:	050:5W	F±1%	R100=0.1	P000=
	Wire Wound	100:10W	G±2%	1R00=1	Straight
	GF:Film	250:25W	J±5%	10R0=10	P00T=
		500:50W	K±10%	1000=100	Terminal
		101:100W		1001=1K	NW00=
		225:225W		1002=10K	No sense
		301:300W		1005=10M	winding
				1007=1000M	NWOT=
					Terminal

額定 Ratings

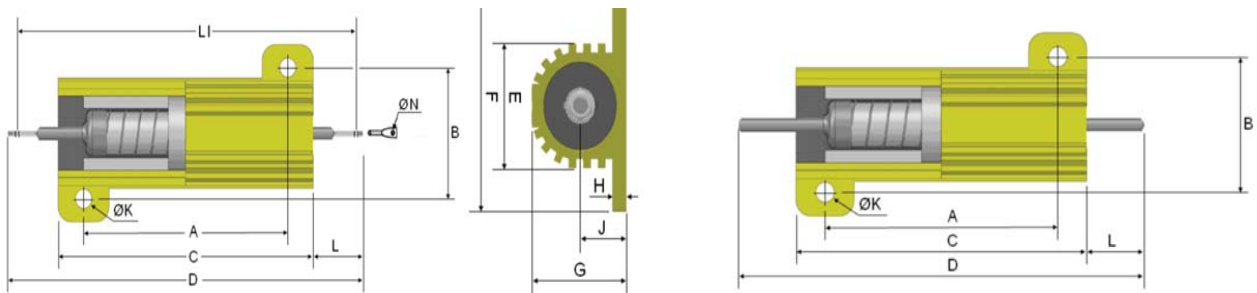
型名 Type	Rated Power (W)	材質 Material	阻值範圍 Resistance Range(Ω)		誤差值 Tolerance	溫度係數 T.C.R.	最高使用電壓 Max. Working Voltage DC	耐電壓 Dielectric Withstanding Voltage DC
			Standard	Non-inductive				
GR-5	4.5	Film	1.5K~1G	200~10M	F±1% G±2% J±5% K±10%	± 350ppm/°C	160V	1000V 可訂製最高 3500V Client request: max.3500V
	5	Wire Wound	0.1Ω~1.5K	0.02~100				
GR-10	8.5	Film	2K~1G	470~10M				
	10	Wire Wound	0.1~1.5K	0.02~100				
GR-25	20	Film	4.7K~1G	1.2K~10M				
	25	Wire Wound	0.5~4.7K	0.1~470				
GR-50	45	Film	10K~2G	1.5K~1M				
	50	Wire Wound	1~25K	0.2~500				
GR-100	100	Wire Wound	3~25K	0.5~2K				
GR-225	225	Wire Wound	3~25K	0.5~2.2K				
GR-300	300							

■ 额定温度下降曲线图 Derating curve

例 Example



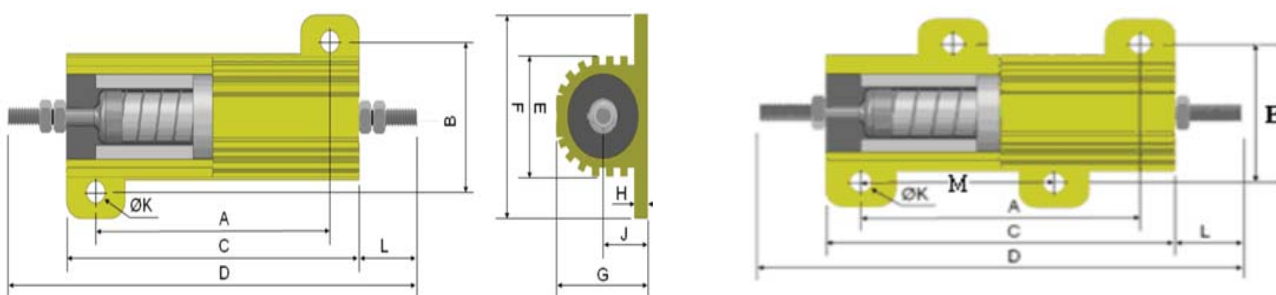
■ 外形尺寸 Dimensions (mm)



P00T/NW0T:Terminal (端子)

P000/NW00:Straight (引線)

Rated Power (W)	C	A	F	B	E	N	ΦK	G	J	H	P00T/ NW0T	P00T/ NW0T	P000/ NW00	P000/ NW00
	±1	±1	±1	±0.4	±1	±0.3	±0.3	±1	±1	±0.5	L	D	L	D
GR-5	15.5	11.5	16.5	12.5	8.5	2.2	2.5	8	2.2	1.5	5	25.5	33	81
GR-10	19	14.5	20.5	15	10	2.2	2.4	10	5	2	6.5	32	33	85
GR-25	27	18	27.3	19.5	13.4	2.2	3.2	14	6.6	2.2	11	50	33	95
GR-50	50	39	29	21.6	16	2.2	3.2	15.5	7.6	2.2	8.5	67	30	116



GR-100 P000 / NW00

GR-225,GR-300 P000 / NW00

Rated Power (W)	C	A	L	F	B	E	ΦK	G	J	H	D	M
	±1	±1	±1	±1	±0.4	±1	±0.3	±1	±2	±0.5	±6	±1
GR-100	89	70	20	71.5	57	46	4.8	44.5	21	4.7	130	N/A
GR-225,GR-300	114	99	20	76	64	54	4.8	55.6	24.4	6.4	155	76