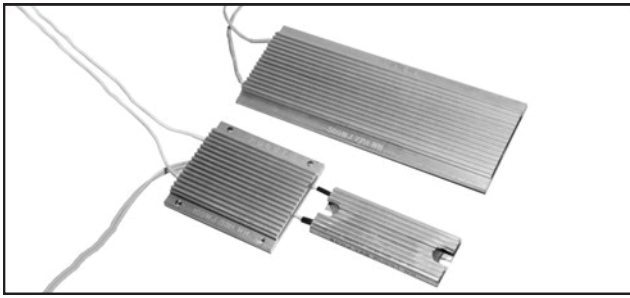


FLAT TYPE METAL CLAD WIRE WOUND RESISTOR

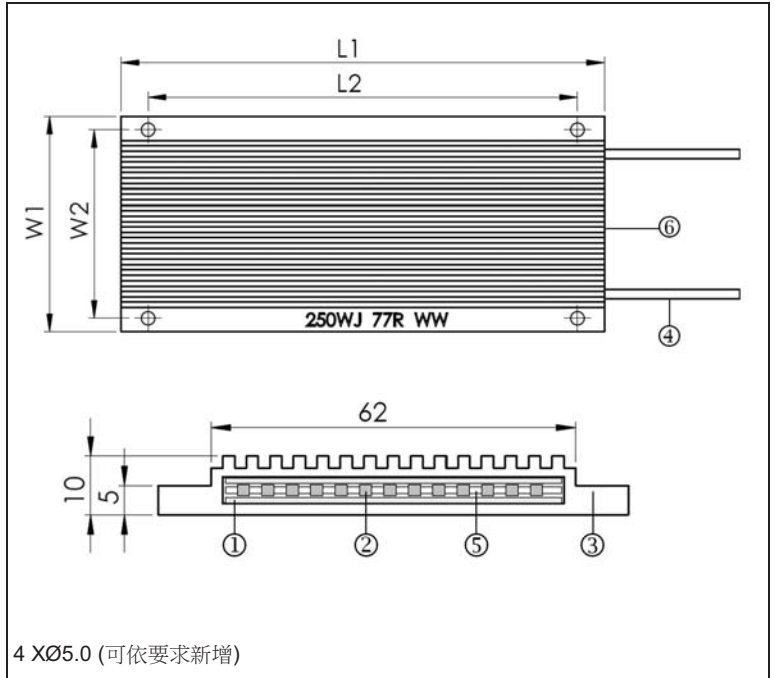
RAGH-1

薄型鋁殼電阻器

FLAT TYPE METAL CLAD WIRE WOUND RESISTOR (GH Type)



結構圖 Construction



4 XØ5.0 (可依要求新增)

1	雲母片	Mica plate	5	基板	Ceramic base
2	繞線	Wire wound	6	絕緣塗料	Insulation coat
3	鋁殼	Aluminum case			
4	絕緣電線	Silicon rubber wire	7	標示	Marking

- 外觀顏色 : Body Color
- 銀色 : Silver
- 標示 : Marking
- 文字 : Alphanumeric

特性 Feature

- ◎精密型高額定功率
- ◎ High power rating, and ultra precision.
- ◎可依客戶需求製作
- ◎ Can be produced according to customer's request.
- ◎產品符合歐盟 RoHS 要求
- ◎ Products meet EU-RoHS.
- ◎可提供低電感
- ◎ Low inductance is available.

料號編碼 Type composition Example

RA	GH	101	J	10R0	S200
型名 Type	薄型鋁殼 Aluminum	額定功率 Rated power	誤差值 Tolerance	電阻值(Ω) Resistance	二次加工 Forming
	Aluminum Cased	800:80W 101:100W 151:150W	J±5%	1R00=1 10R0=10 1000=100 1001=1K	Straight Length

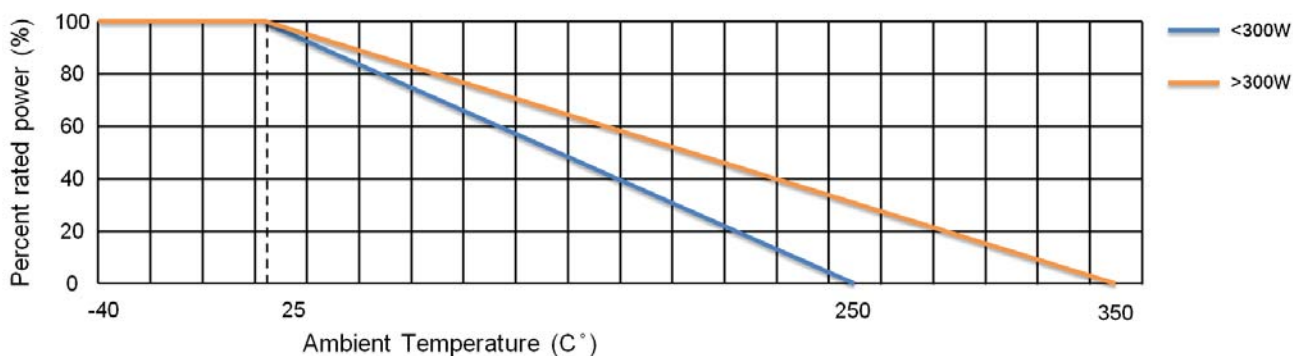
外型尺寸 Dimensions

Rated Power (W)	L1±2 (mm)	L2±0.3 (mm)	W1±0.3 (mm)	W2±0.3 (mm)
100	90	70	80	70
150	120	100		
200	150	130		
250	180	160		
300	210	190		
400	270	250		
500	330	310		

Rated Power (W)	阻值範圍 Resistance Range(Ω)		誤差值 Tolerance	溫度係數 T.C.R.	最高使用電壓 Max. Working Voltage DC	最高過負荷電壓 Max. Overload Voltage DC	耐電壓 Dielectric Withstanding Voltage DC
	Standard	Non-inductive					
60	0.1Ω~ 500Ω	0.05Ω~ 10Ω	J±5%	± 350ppm/°C	500V	1500V	1500V
100	1Ω~ 2KΩ	2Ω~ 50Ω					
150	1Ω~ 2.5KΩ	2Ω~ 50Ω					
200	1Ω~ 3KΩ	2Ω~ 100Ω			750V		
250	1Ω~ 3KΩ	2Ω~ 100Ω					
300	1Ω~ 3KΩ	2Ω~ 200Ω					
400	1Ω~ 3KΩ	2Ω~ 200Ω			1000V		
500	1Ω~ 5KΩ	2Ω~ 250Ω					

■ 額定溫度下降曲線圖 Derating curve

例 Example



■ 性能 Performance

試驗項目 Test Items	規格值 Performance Requirements	試驗方法 Test Methods
電阻值 Resistance	規定的誤差值內 Within specified tolerance	測量點從端蓋 10mm Measuring points are 10mm from the end cap
溫度係數 T.C.R.	規定值內 Within specified T.C.R.	室溫+100°C Room temperature +100°C
短時間過負荷 Short time overload	±(1%+0.05Ω)	5 倍額定功率，5 秒 5 times the rated power for 5 seconds
負荷壽命 Load life	±(5%+0.1Ω)	Rated voltage at 70°C for 1,000 hours 1.5hr ON / 0.5hr OFF Cycles
耐濕負荷壽命 Load life in humidity	±(5%+0.1Ω)	10% rate power load 40°C, 95% RH for 1,000 hours; 1.5h ON / 0.5h OFF cycle
耐濕性 Moisture resistance	±(1%+0.05Ω)	40°C, 95% RH, 240 小時 40°C, 95% RH for 240 hours
溫度循環 Temperature cycle	±(1%+0.05Ω)	5 cycles for -25°C (30min); room temp. (30min) ~ +85°C (30min) room temp. (30min)
絕緣電阻 Insulation resistance	>1,000MΩ	500V 絕緣測試 1 分鐘 500V insulation test 1min.